

The world's first inductive charging and mounting system for iPad 2™



*PowerShuttle
black*



*PowerShuttle
white*



BaseStation



WallStation

The PowerShuttle is held magnetically onto the BaseStation and WallStation, providing an incredibly user-friendly and secure mounting solution that allows the iPad to be rotated through a full 360 degrees.

The LaunchPort inductive charging system starts charging the iPad wirelessly, as soon as the PowerShuttle is docked onto either the WallStation or BaseStation; eliminating the need for external chargers and a mess of cables.

The PowerShuttle includes a pass-through mini USB connector, should the user wish to charge the iPad when a BaseStation or WallStation are not available.

The PowerShuttle features an acoustic wave guide that passively amplifies and directs sound towards the front of the iPad, creating a better listening experience for the user.

LaunchPort is the perfect addition to lighting control or automations systems that can be operated by Apps, allowing the PowerShuttle to be docked in convenient locations and the iPad to be always fully charged.

It also provides a user friendly and convenient way to use an iPad around the home to stream music, access the Internet, check emails or simply use favorite Apps for social media, weather, traffic, recipes etc.

Set your iPad free at iPortmusic.com

Alto HiFi AG

Brügglistrasse 11
CH-8852 Altendorf
www.alto-hifi.ch - info@alto-hifi.ch
tel. 055 254 90 90 - fax. 055 254 90 91

FOR PROFESSIONALS
AltoHIFI

LAUNCHPORT



The world's first inductive charging and mounting system for iPad

BaseStation

LAUNCHPORT *BaseStation*

The BaseStation allows you to mount your iPad to a table top base to use and charge. The mounting and induction charging ring provides a connection point for a PowerShuttle. Made of brushed aluminum, the BaseStation looks great with all your Apple products.

BaseStation Features:

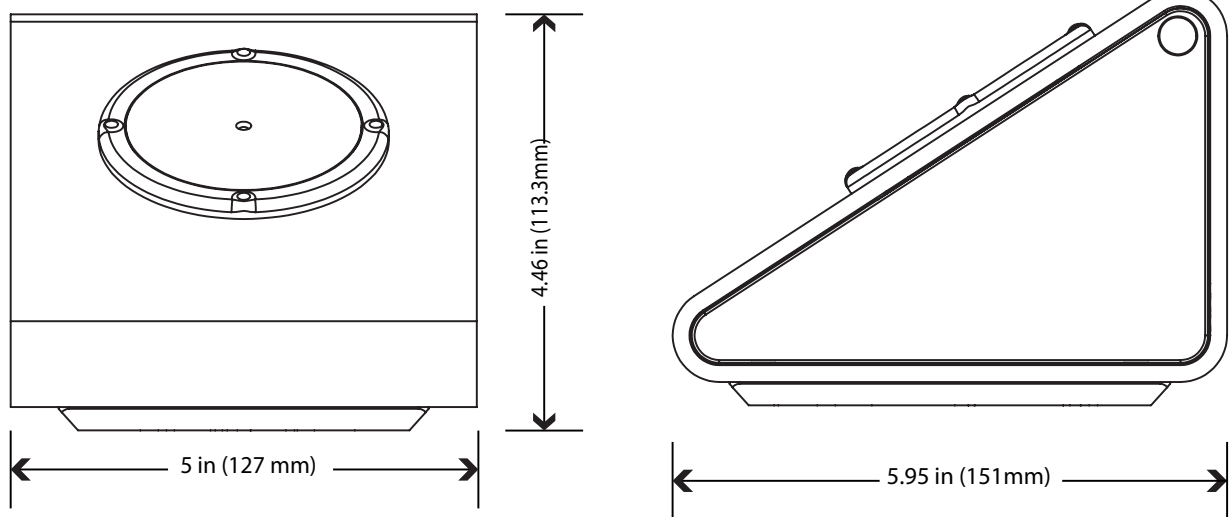
- * Wireless Inductive charging and mounting for iPad 2
- * Magnetic table top mounting station
- * Effortless mounting and removal
- * 360° rotation allows the iPad to be in either horizontal or landscape orientations while mounted
- * Maintains total iPad functionality while charging

BaseStation Includes:

- * Extruded aluminum base station with brushed finish
- * Power supply

Compatible With:

- * iPad 2



212 Avenida Fabricante | San Clemente | USA Set your iPad free at www.launchport.com

LAUNCHPORT



The world's first inductive charging and mounting system for iPad

PowerShuttle

LAUNCHPORT *PowerShuttle*

The LaunchPort PowerShuttle for iPad is a sleeve-style, soft touch black case. It securely holds the iPad and is used to mount to the BaseStation and WallStation. It has a built-in wave guide for the iPad speaker that directs sound back at you for a better media experience. It's equipped with a Mini USB port for charging and syncing on the go. Because the PowerShuttle contains magnets, you can also mount it to any metallic surface.

PowerShuttle Features:

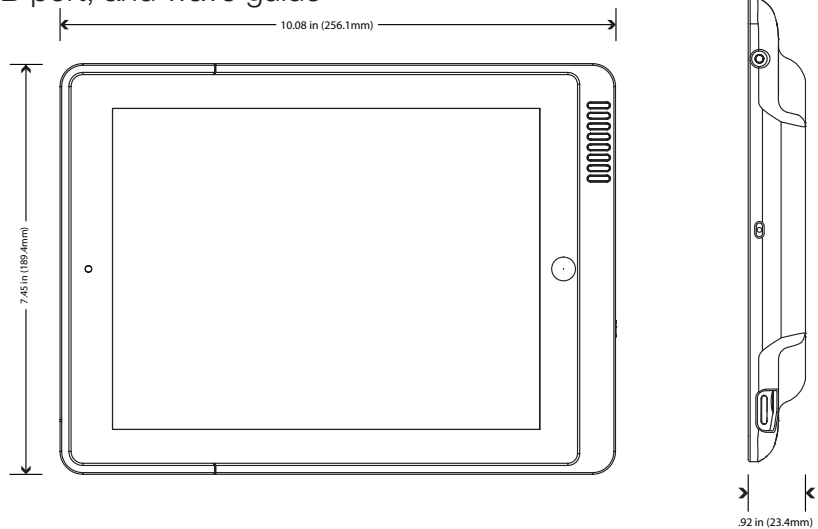
- * Wireless Inductive charging and mounting for iPad 2
- * Form fitting sleeve which provides a safe home for the iPad
- * USB pass through
- * High grade fit and finish
- * Soft touch Black
- * Wave Guide
- * 360° rotation allows the iPad to be in either horizontal or landscape orientations while mounted.
- * Maintains total iPad functionality while charging

PowerShuttle Includes:

- * Upper PowerShuttle sleeve with power and volume control accessibility
- * Lower PowerShuttle sleeve with hand grips, detents, charging and magnetic rings, mini-USB port, and wave guide

Compatible With:

- * iPad 2



212 Avenida Fabricante | San Clemente | USA Set your iPad free at www.launchport.com

LAUNCHPORT



The world's first inductive charging and mounting system for iPad

WallStation

LAUNCHPORT *WallStation*

The LaunchPort WallStation provides a home for your iPad on the wall. It securely mounts and charges your iPad using a LaunchPort PowerShuttle. The WallStation was designed so that anyone can install one in their home. The WallStation uses inductive charging and magnetic mounting, providing effortless mounting and charging, without wires. The LaunchPort WallStation transforms your wall into an information center, gallery, video conferencing center, or whatever else you can imagine.

WallStation Features:

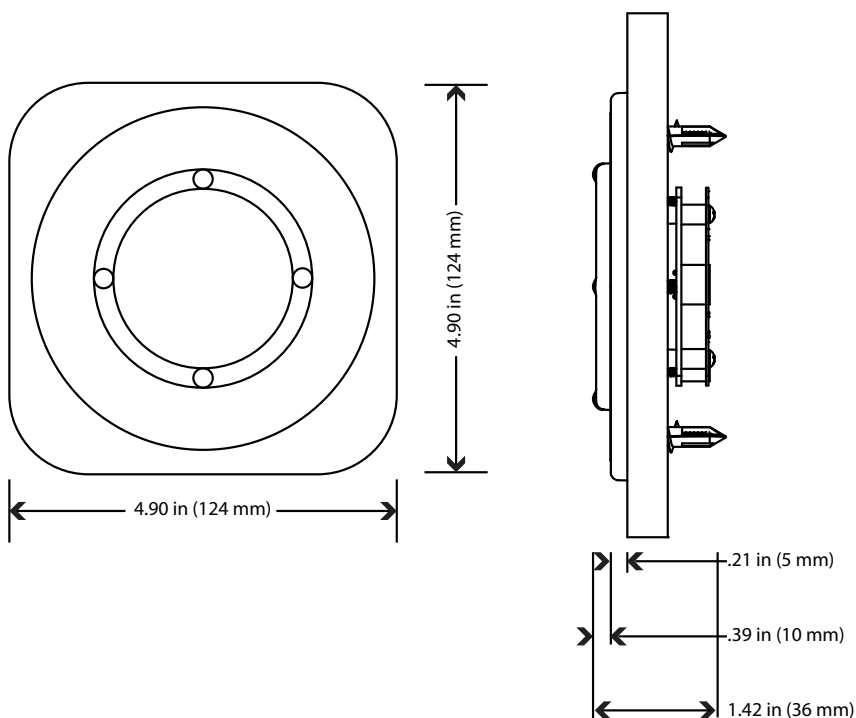
- * Wireless Inductive charging and mounting for iPad 2
- * Magnetic wall mounting station
- * Effortless mounting and removal
- * 360° rotation allows the iPad to be in either horizontal or landscape orientations while mounted
- * Maintains total iPad functionality while charging

WallStation Includes:

- * WallStation Assembly
- * Wall Plate
- * Anchors
- * Power Supply

Compatible With:

- * iPad 2



212 Avenida Fabricante | San Clemente | USA Set your iPad free at www.launchport.com